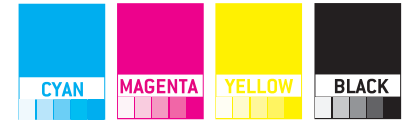
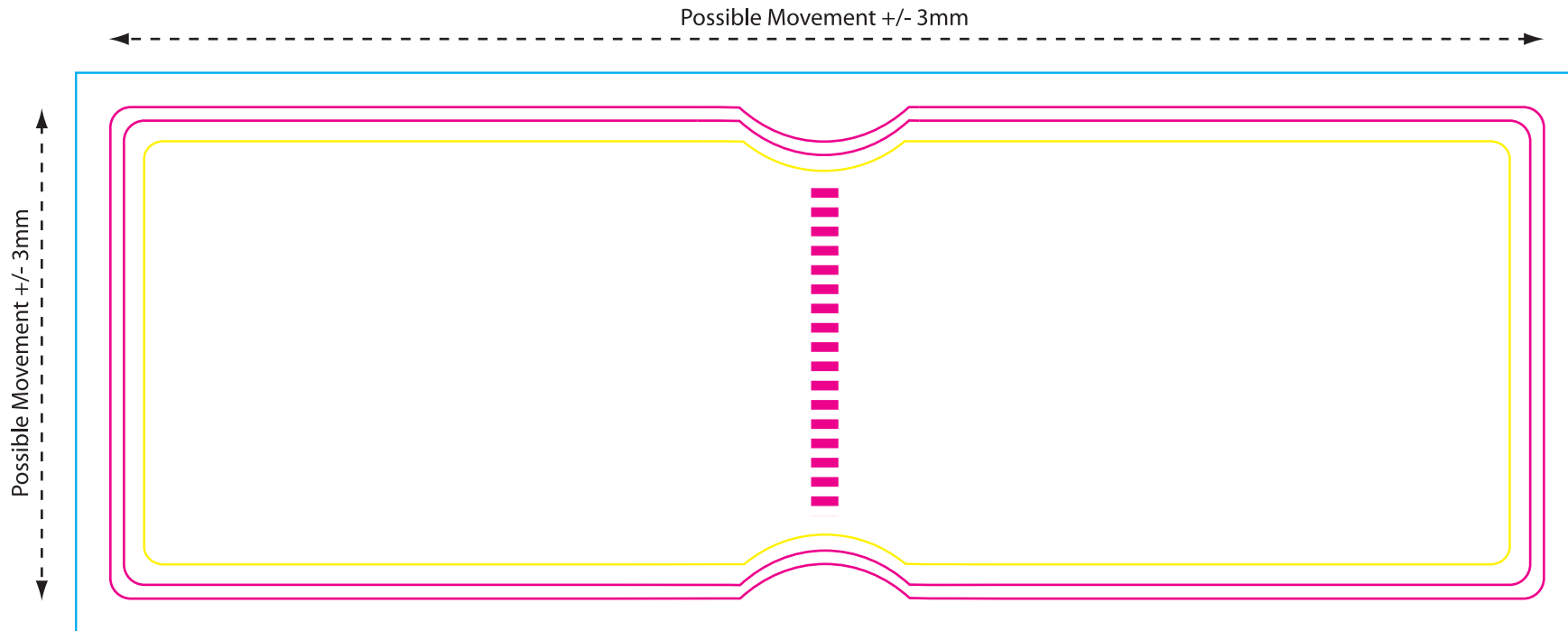


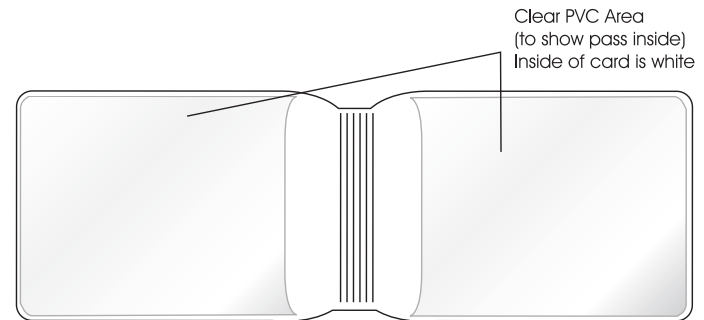
PANTONE COLOURS :-



Please ensure all print details are properly constructed, vectored files - NOT embedded images or fonts.



- Area recommended for critical text and images (5mm in from the outer weld).
- Wallet weld location.
- Outer bleed area (5mm).
- Print Position Tolerance +/- 3mm from intended position.



External dimensions 210mm wide x 72mm high